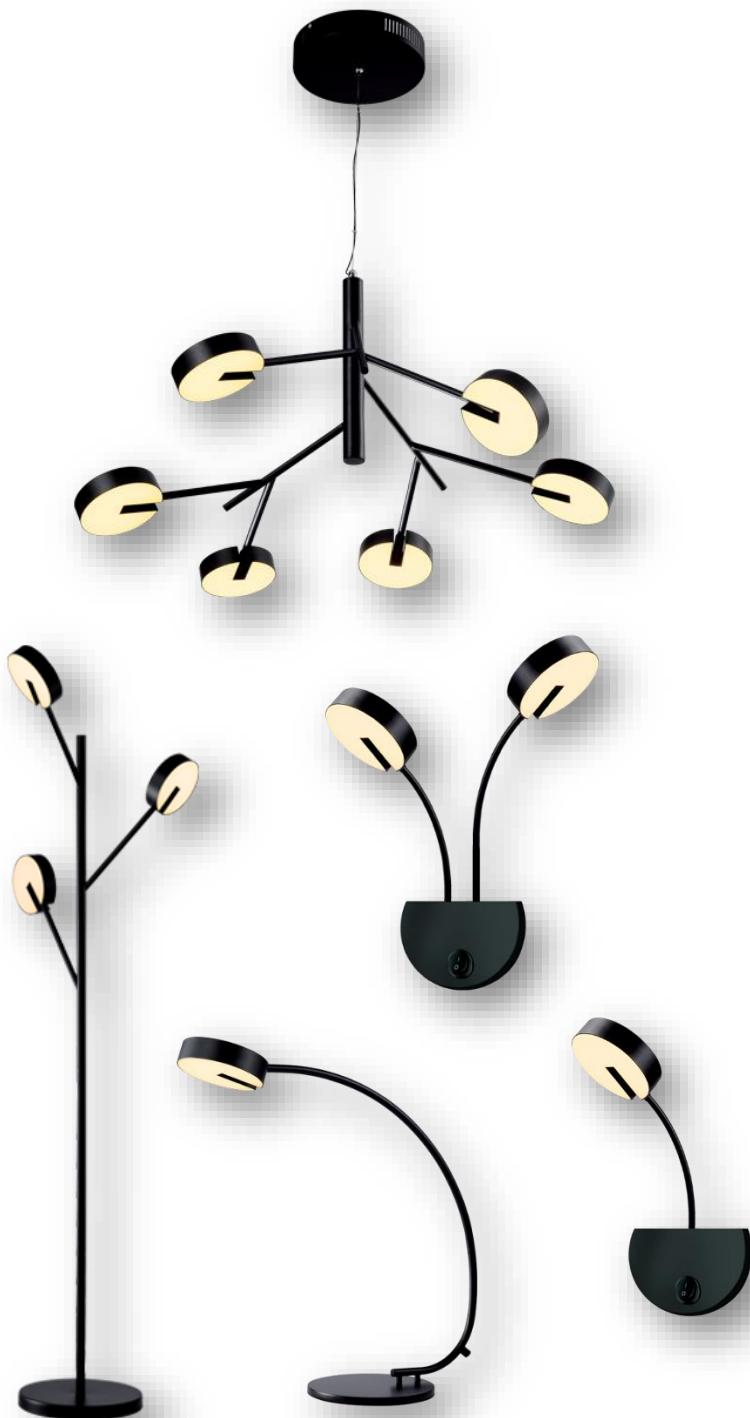


ELMARK[®]

The Brand of Electricity

SENSO SERIES



GENERAL INFORMATION »

- ∴ Rated voltage: ~230VAC
- ∴ Power: 8.5W; 17W; 25W; 50W
- ∴ Power supply: DC device - driver
- ∴ LED: Included
- ∴ Light source: Epistar SMD2835
- ∴ Colour temperature: 2800-3200K
- ∴ Colour rendering index: Ra≥80
- ∴ Switch on/off: >15 000
- ∴ Material: Aluminium + Iron + Acrylic
- ∴ Color of body: Matte black
- ∴ Protection against dust and moisture: IP40

FEATURES »

- ∴ Stylish and impressive design.
- ∴ Good colour and brightness.
- ∴ No ultraviolet and infrared rays
- ∴ Resistant to shock and vibration stable body
- ∴ Environmentally friendly - no mercury and lead
- ∴ Low heat emission

AREAS OF APPLICATION »

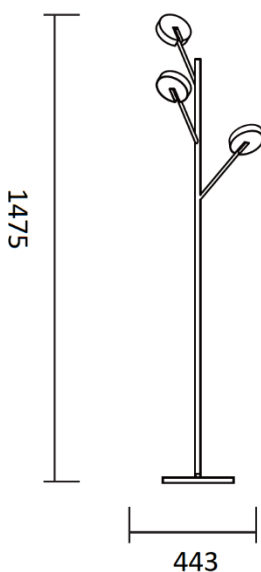
- ∴ Suitable for residential lighting, hotels, restaurants, office, commercial lighting and similar environments

PRODUCT DETAILS »

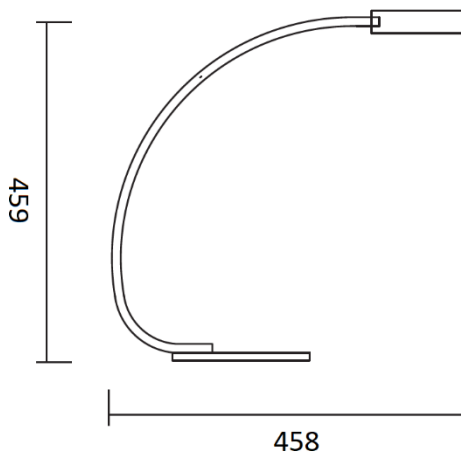
Catalogue number	Description	Number of lamps	Watt (W)	Whole fixture lumens (lm)	Colour temp. (K)	Colour
955SENSO1T	Table lamp	1	8.5	588	2800-3200	Matte black
955SENSO3F	Floor lamp	3	25	1764	2800-3200	Matte black
955SENSO1W	Wall lamp	1	8.5	588	2800-3200	Matte black
955SENSO2W	Wall lamp	2	17	1176	2800-3200	Matte black
955SENSO6	Pendant	6	50	3528	2800-3200	Matte black

DIMENSIONS »

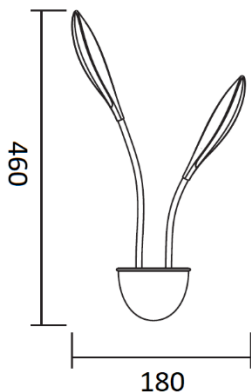
955SENSO3F



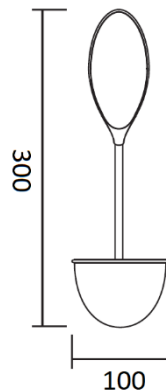
955SENSO1T



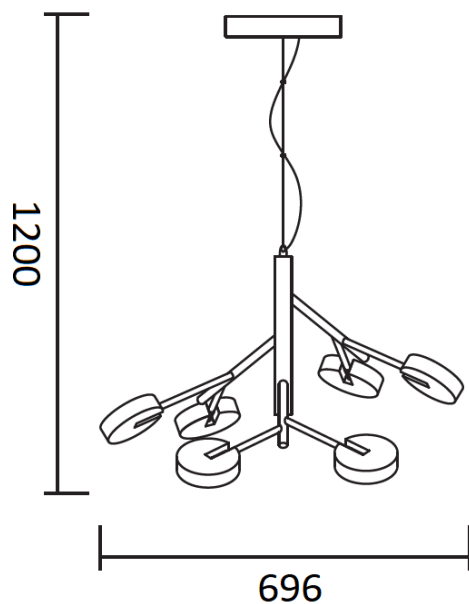
955SENSO2W



955SENSO1W




955SENSO6




ADDITIONAL INFORMATION »

E **ELMARK** lighting **SENSO**

 This luminaire contains built-in LED lamps.

A++ } L
A+ } E
A } D
B
C
D
E

The lamps cannot be changed in the luminaire.

874/2012 

Catalogue number	Barcode	Packing/Box (pcs)
955SENSO1T	3800131229984	1/1
955SENSO3F	3800131229991	1/1
955SENSO1W	3800131230003	1/1
955SENSO2W	3800131230010	1/1
955SENSO6	3800131229977	1/1

